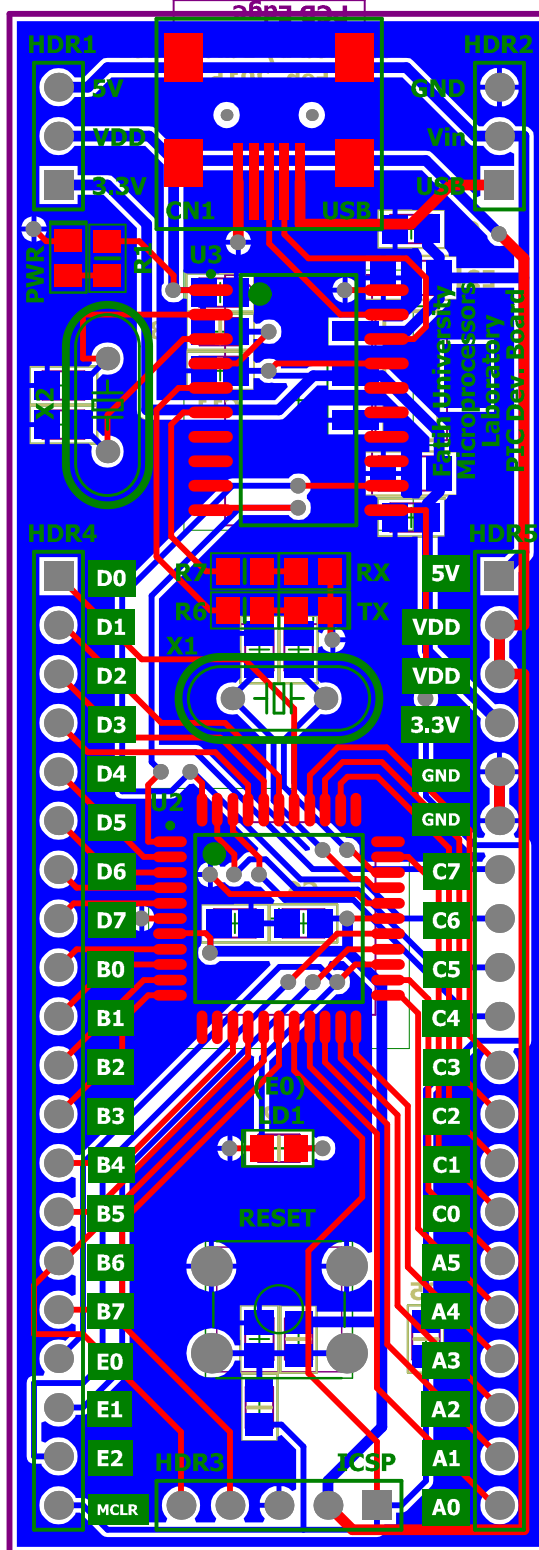


Title		
PIC DEV BOARD		
Size	Number	Revision
A4		3
Date:	18.2.2015	Sheet of
File:		Drawn By: Burak Enez



Comment	Description	Designator	Footprint	LibRef	Quantity
Capacitor	Capacitor	C1, C2, C3, C4, C5, C6, C7, C8, C9, C10, C11	CAPC2012N	Capacitor	11
USB Mini Type B	USB Mini Type B	CN1	USB/SM0.8-6H5	USB Mini Type B	1
Electrolytic Capacitor	Electrolytic Capacitor	E1, E2	TANTALUMC3216N	Electrolytic Capacitor	2
Header Male 1x3	Header Male	HDR1, HDR2	HDR1X3	Header Male 1x3	2
ICSP	Header Male	HDR3	HDR1X5	Header Male 1x5	1
Header Male 1x20	Header Male	HDR4, HDR5	HDR1X20	Header Male 1x20	2
LED	LED Red	LD1	LEDC2012N	LED Red	1
PWR	LED Red	LD2	LEDC2012N	LED Red	1
TX	LED Red	LD3	LEDC2012N	LED Red	1
RX	LED Red	LD4	LEDC2012N	LED Red	1
Resistor	Resistor	R1, R2, R3, R4, R5, R6, R7, R8	RESC2012N	Resistor	8
Tact Switch 4 Pin	Tact Switch 4 Pin, Push Button	T1	TACT-6X6	Tact Switch 4 Pin	1
AMS1117-3.3	1A Adjustable/Fixed Low Dropout Linear Regulator	U1	SOT223-4N	AMS1117	1
PIC16F887-I/PT	Flash-Based, 8-Bit CMOS Microcontroller with nanoWatt Technology, 8K (x14-Bit words) Program Memory, 624 Bytes Data Memory, 35 I/O pins, 44-Pin TQFP, Standard VDD Range, Industrial Temperature	U2	TQFP-PT44_N	PIC16F887-I/PT	1
MCP2200-I/SO	USB 2.0 to UART Protocol Converter with GPIO, 20-Pin SOIC, Industrial Temperature	U3	SOIC-SO20_N	MCP2200-I/SO	1
Crystal Oscillator	Crystal Oscillator	X1, X2	HC49-S	Crystal Oscillator	2